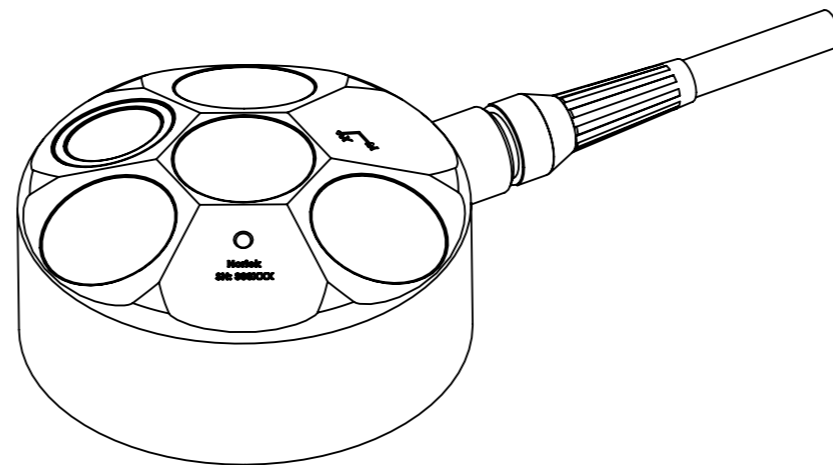


Cable properties:

Outer diameter: 7.75mm
 Jacket material: Black polyurethane
 Conductors: 26 AWG Stranded
 Tinned Copper
 Isolation: Polypropylene

Pair	Color	RS422	RS232	Comment
1	White	TX+	TX+	Ethernet
	Orange	TX-	TX-	Ethernet
2	White	RX+	RX+	Ethernet
	Green	RX-	RX-	Ethernet
3	White	TRIGA	TRIGA	Input
	Black	TRIGB	TRIGB	Input
4	White	TXY	-	Output
	Blue	TXZ	TX232	Output
5	White	RXB	RX232	Input
	Brown	RXA	-	Input
6	Black	Power -	Power -	Power
	Red	Power +	Power +	Power



External materials:

- Titanium grade 5/2
- Polyurethane
- PMMA
- Epoxy
- Nickel Aluminum Bronze

Weight in air: 535g
 Weight in water: 295g

Title: Nucleus1000, 300m GA	
File Name: GA0005	Rev: 1A
Date: 23.03.2023	Dimensions are in millimeters Copyright Nortek AS



General Arrangement Drawing